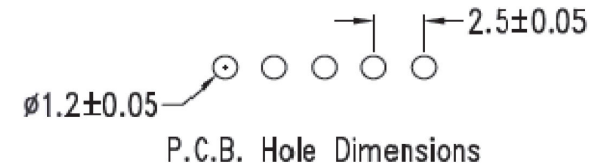
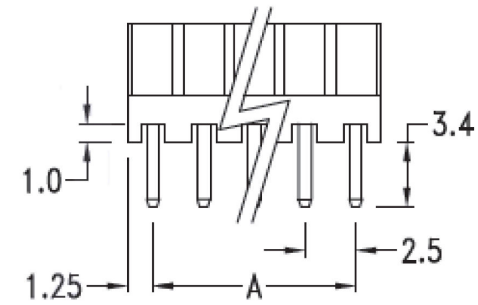
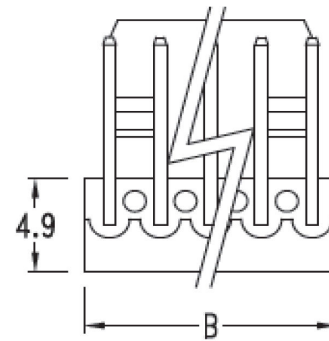
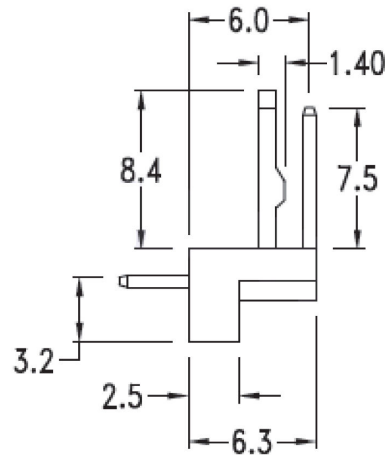


Rev.	DESCRIPTION	DATE	APPD.
1	Dim. update	106 4/26	



Specifications:

- Current rating: 3A Max.
- Voltage rating: 250V AC, DC
- Dielectric withstanding voltage: 1500V AC/minute
- Ambient temperature range: -40°C ~ 105°C

Dimensional Information (mm)

Circuits	Dim. A	Dim. B	Circuits	Dim. A	Dim. B	Circuits	Dim. A	Dim. B
2	2.5	5.0	9	20.0	22.5	16	37.5	40.0
3	5.0	7.5	10	22.5	25.0	17	40.0	42.5
4	7.5	10.0	11	25.0	27.5	18	42.5	45.0
5	10.0	12.5	12	27.5	30.0	19	45.0	47.5
6	12.5	15.0	13	30.0	32.5	20	47.5	50.0
7	15.0	17.5	14	32.5	35.0			
8	17.5	20.0	15	35.0	37.5			

RoHS compliant

CUSTOMER APPROVAL	UNLESS OTHERWISE SPECIFIED TOLERANCE .000 ± 0.08 (mm) .00 ± 0.25 (mm) .0 ± 0.40 (mm)	UNIT:mm	APPROVAL	DATE	Ho Chien Electronics
		Material:	DRAWN:	106 4/26	
		Finish:	DESIGNED:	106 4/26	
		Q'ty:	CHECKED:	106 4/26	
			APPROVED:	106 4/26	TITLE: .098"(2.5mm) Right Angle Pin Friction Lock Header
					P/N: HCA8813-N Series
					Eng. No.: